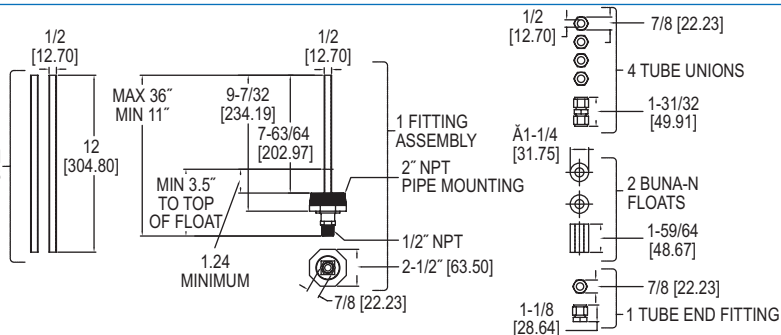
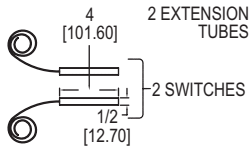


MODEL F7-MLK | W.E. ANDERSON™ BY DWYER

MULTI-LEVEL SWITCH KIT

One or Two Station Level Switch, Vertically Mount



The **Model F7-MLK Multi-Level Switch Kit** provides a customized level system to suit specific application requirements. The F7-MLK Multi-Level Switch Kit contains all the components necessary for the design and fabrication of a 1 or 2 station level switch for pipe plug mounting.

FEATURES/BENEFITS

- Customize stem length (max.: 36"; min.: 11"), actuation point, distance between floats, and lead wire lengths
- Includes two level stations (switch, tube, and Buna-N float), two brass extension tubes 12" length, four brass tube unions, one end fitting, and one mounting plug

APPLICATIONS

- General purpose level monitoring
- Low specific gravity
- Gas and oil

MODEL CHART

Model	Description
F7-MLK	Multi-level switch kit

Note: 316 SS version also available, please see F7-MLK2 on Dwyer website.

SPECIFICATIONS

Service: Compatible liquids.
Wetted Materials (Float/Stem): Buna-N/Brass.
Temperature Limits: 221°F (105°C).
Pressure Limits: 150 psig (10 bar).
Switch Type: SPST, NO or NC.
Electrical Rating: 60 Watts: 0.4 A @ 220 VAC, 0.5 A @ 110 VAC, 0.2 A @ 120 VDC, 0.5 A @ 24 VDC.
Electrical Connections: 22 AWG x 72" (183 cm) leads.

Process Connection: 2" male NPT pipe plug.
Mounting Orientation: Up to 30° angle from vertical.
Stem Length: 36" (91 cm) max.; 11" (27.94 cm) min.
Tube/Fitting Size: 1/2" OD.
Minimum Specific Gravity: 0.45.
Weight: 3.5 lb (1.6 kg).

Note: Top floats 3.5" (8.89 cm) min. distance.

USA: California Proposition 65

⚠WARNING: Cancer and Reproductive Harm - www.P65Warnings.ca.gov