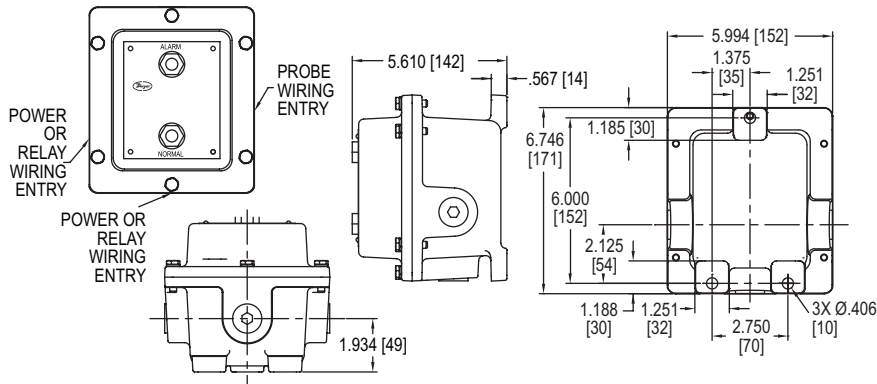


MODEL LTC2**TILT SWITCH CONTROL UNIT**
Adjustable Time Delay

The **MODEL LTC2** Tilt Switch Control Units offers a complete level control solution when used with a tilt switch probe such as the Series LTS. It offers a DPDT switch output as well as indicator lights to provide visual and output control of the level probe status.

FEATURES/BENEFITS

- Adjustable time delay feature may be assigned to either the vertical or the tilt position to prevent false signals
- Logic selector switch determines when the output relay actuates and deactuates, thus while in position one, the relay is energized when the probe is in the vertical position and de-energizes when the probe is in the tilted position, and while in position two, the actions are opposite
- Relay assumes the de-energized position upon reaching the end of the delay period as well as upon failure of power to the controller

APPLICATIONS

- Large hoppers
- Silos
- Crushers
- Trippers
- Stackers
- Conveyors

SPECIFICATIONS

Temperature Limit: -4 to 104°F (-20 to 40°C).

Power Requirements: 115 VAC @ 50/60 Hz.

Power Consumption: 10W.

Switch Type: DPDT.

Electrical Rating: 5 A @ 120 VAC; 5 A @ 240 VAC.

Enclosure: Cast aluminum.

Enclosure Rating: None or NEMA 4, 4X.

Electrical Connections: No suffix: 120 VAC; B suffix: 240 VAC.

Conduit Connections: 3/4 NPT: 2 power/relay & 1 probe.

Indicator Light: Green (when relay is energized and probe vertical); Red (when relay is de-energized and probe tilted), LED lamps.

Time Delay: 0.1 to 35 sec; Adjustment will delay output relay action.

MODEL CHART

| Model | Enclosure |
|-------|-----------|
| LTC2 | NEMA 4X |